

WMP030/812 con motore brushless CC

WMP030/812 with brushless DC motor

WMP 030/812	BL070.240 / BL070.480 / BL070.48B						
	24V / 48V						
ir	n ₂ MIN			n ₂ MAX			n ₁ MAX [rpm]
		M ₂	sf		M ₂	sf	
289.3	1.0	120	1.0*	10.4	120	1.0*	3000
434.0	0.7	120	1.0*	6.9	120	1.0*	
578.6	0.5	120	1.0*	5.2	120	1.0*	
867.9	0.3	120	1.0*	3.5	120	1.0*	
1157	0.3	120	1.0*	2.6	120	1.0*	
1447	0.2	120	1.0*	2.1	120	1.0*	
1736	0.2	120	1.0*	1.7	120	1.0*	
2098	0.1	120	1.0*	1.4	120	1.0*	
2734	0.1	120	1.0*	1.1	120	1.0*	

Nota: I valori * indicano il superamento della coppia massima sopportata dal riduttore per il servizio in S1.

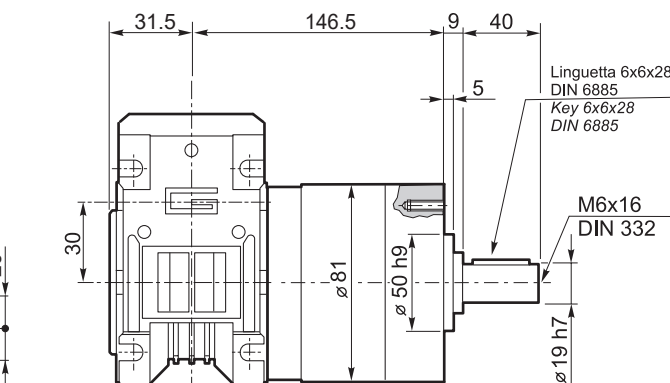
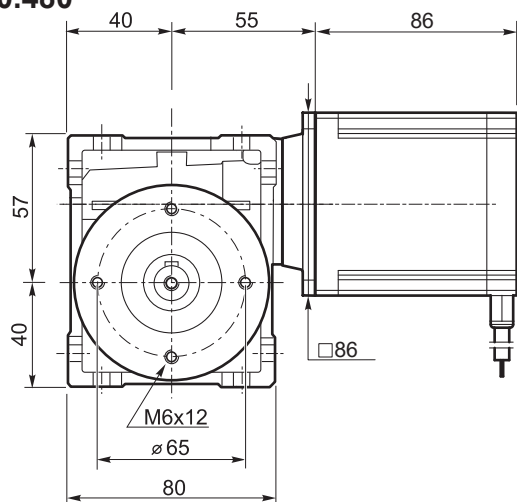
N.B.: value * indicate that maximum torque withstood by gear reducer for service in S1 is exceeded.

Tipo Type	Numero di poli Number of poles	Numero di fasi Number of phase	Tensione Rated voltage [V]	Numero di giri Rated speed [rpm]	Coppia nominale Rated torque [Nm]	Potenza nominale Rated power [W]
BL070.240	8	3	24	3000	0.7	220
BL070.480 BL070.48B	8	3	48	3000	0.7	220
Tipo Type	Coppia massima Peak torque [Nm]	Corrente nominale Rated current [A]	Resistenza Resistance [ohm]	Induttanza Inductance [mH]	Corrente massima Peak current [A]	Peso Weight [kg]
BL070.240	2.1	13	0.091	0.23	26	2.1
BL070.480 BL070.48B	1.4	6.5	0.34	1.0	13	2.1

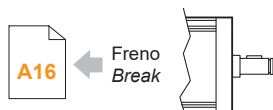
Azionamenti
Drives



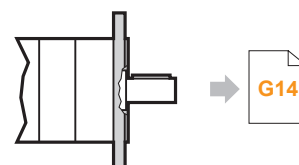
WMP030/812..U
+
BL070.240
BL070.480



Kg
5.9



BL070.48B



WMP030/812...C