

# Motoriduttori brushless CC combinati Brushless DC double reduction gearmotors

WMP030/812 con motore brushless CC

WMP030/812 with brushless DC motor

WMP 030/812	BLS043.240												
	24V						36V						
	n <sub>2</sub> MIN		n <sub>2</sub> MAX		n <sub>1</sub> MAX [ rpm ]	n <sub>2</sub> MIN		n <sub>2</sub> MAX		n <sub>1</sub> MAX [ rpm ]			
M <sub>2</sub>	sf	M <sub>2</sub>	sf	M <sub>2</sub>		sf	M <sub>2</sub>	sf					
289.3	1.0	74	1.6	10.4	86	1.4	1.0	74	1.6	10.4	86	1.4	4000
434.0	0.7	102	1.2	6.9	120	1.0*	0.7	102	1.2	6.9	120	1.0*	
578.6	0.5	120	1.0*	5.2	120	1.0*	0.5	120	1.0*	5.2	120	1.0*	
867.9	0.3	120	1.0*	3.5	120	1.0*	0.3	120	1.0*	3.5	120	1.0*	
1157	0.3	120	1.0*	2.6	120	1.0*	0.3	120	1.0*	2.6	120	1.0*	
1447	0.2	120	1.0*	2.1	120	1.0*	0.2	120	1.0*	2.1	120	1.0*	
1736	0.2	120	1.0*	1.7	120	1.0*	0.2	120	1.0*	1.7	120	1.0*	
2098	0.1	120	1.0*	1.4	120	1.0*	0.1	120	1.0*	1.4	120	1.0*	
2734	0.1	120	1.0*	1.1	120	1.0*	0.1	120	1.0*	1.1	120	1.0*	

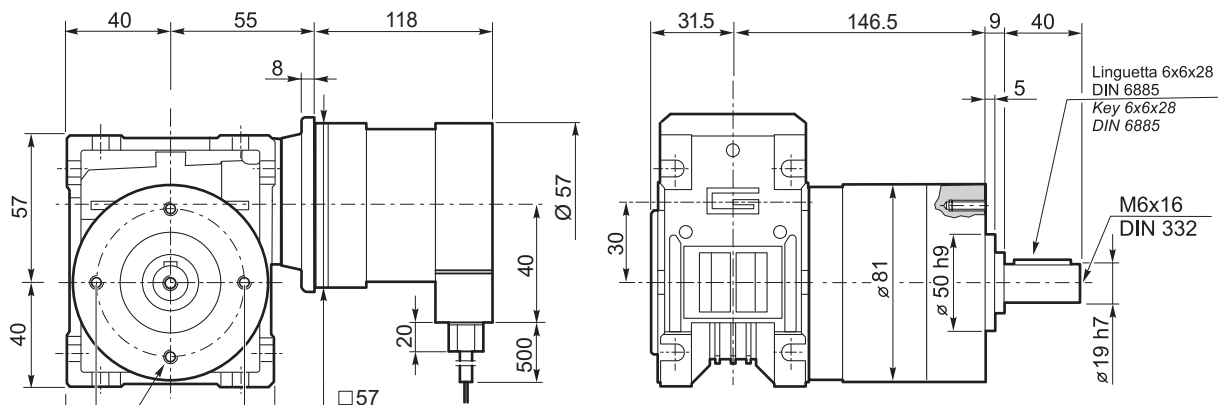
**Nota:** I valori \* indicano il superamento della coppia massima sopportata dal riduttore per il servizio in S1.

**N.B.:** value \* indicate that maximum torque withstood by gear reducer for service in S1 is exceeded.

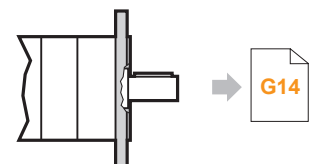
Tipo Type	Numero di poli Number of poles	Numero di fasi Number of phase	Tensione Rated voltage [ V ]	Numero di giri Rated speed [ rpm ]	Coppia nominale Rated torque [ Nm ]	Potenza nominale Rated power [ W ]
BLS043.240	4	3	36	4000	0.43	180
	4	3	24	3000	0.43	130
Tipo Type	Coppia massima Peak torque [ Nm ]	Corrente nominale Rated current [ A ]	Resistenza Resistance [ ohm ]	Induttanza Inductance [ mH ]	Corrente massima Peak current [ A ]	Peso Weight [ kg ]
BLS043.240	0.86	6	0.35	1.0	12.0	1.25



WMP030/812..U  
+  
BLS043.240



**Kg**  
5.1



WMP030/812...C