

Motoriduttori brushless CC combinati Brushless DC double reduction gearmotors

WMP030/811 con motore brushless CC

WMP030/811 with brushless DC motor

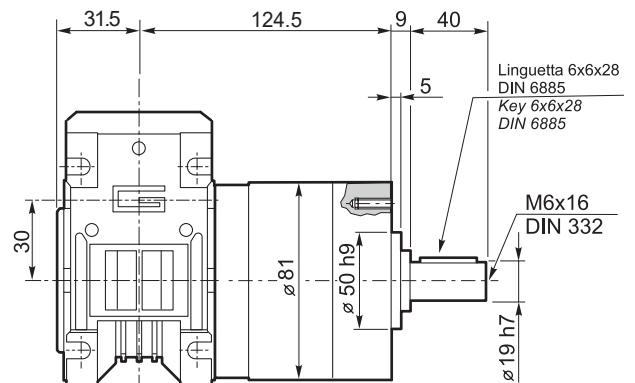
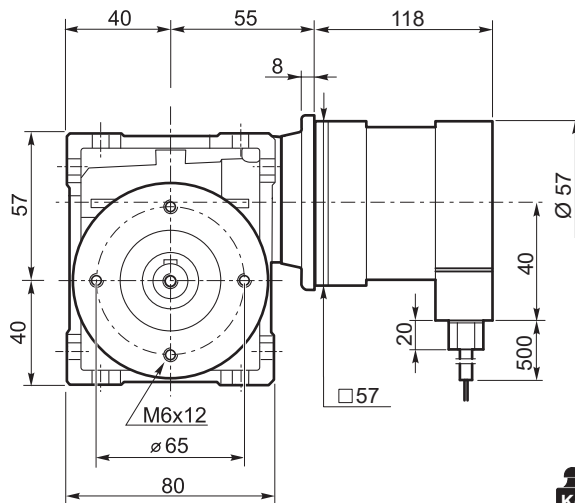
WMP 030/811	BLS043.240													
	24V						36V							
	n ₂ MIN		n ₂ MAX		n ₁ MAX [rpm]	n ₂ MIN		n ₂ MAX		n ₁ MAX [rpm]				
M ₂	sf	M ₂	sf	M ₂		sf	M ₂	sf						
67.5	4.4	17	4.6	44.4	20	4.0	4.4	17	4.6	44.4	20	4.0	3000	4000
101.3	3.0	24	3.4	29.6	29	2.7	3.0	24	3.4	29.6	29	2.7		
135.0	2.2	30	2.7	22.2	38	2.1	2.2	30	2.7	22.2	38	2.1		
202.5	1.5	35	2.3	14.8	45	1.8	1.5	35	2.3	14.8	45	1.8		
270.0	1.1	45	1.8	11.1	51	1.6	1.1	45	1.8	11.1	51	1.6		
337.5	0.9	52	1.5	8.9	65	1.2	0.9	52	1.5	8.9	65	1.2		
405.0	0.7	59	1.3	7.4	76	1.1	0.7	59	1.3	7.4	76	1.1		

Tipo Type	Numero di poli Number of poles	Numero di fasi Number of phase	Tensione Rated voltage [V]	Numero di giri Rated speed [rpm]	Coppia nominale Rated torque [Nm]	Potenza nominale Rated power [W]
BLS043.240	4	3	36	4000	0.43	180
	4	3	24	3000	0.43	130
Tipo Type	Coppia massima Peak torque [Nm]	Corrente nominale Rated current [A]	Resistenza Resistance [ohm]	Induttanza Inductance [mH]	Corrente massima Peak current [A]	Peso Weight [kg]
BLS043.240	0.86	6	0.35	1.0	12.0	1.25

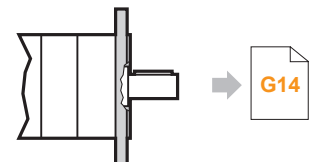
Azionamenti
Drives



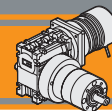
WMP030/811..U
+
BLS043.240



Kg
4.4



WMP030/811...C



WMP030/811 con motore brushless CC

WMP030/811 with brushless DC motor

WMP 030/811	BL070.240 / BL070.480 / BL070.48B						
	24V / 48V						
ir	n ₂ MIN			n ₂ MAX			n ₁ MAX [rpm]
		M ₂	sf		M ₂	sf	
67.5	4.4	29	2.8	44.4	32	2.5	3000
101.3	3.0	39	2.1	29.6	47	1.7	
135.0	2.2	49	1.6	22.2	59	1.3	
202.5	1.5	59	1.3	14.8	76	1.1	
270.0	1.1	65	1.2	11.1	80	1.0*	
337.5	0.9	76	1.1	8.9	80	1.0*	
405.0	0.7	80	1.0*	7.4	80	1.0*	

Nota: I valori * indicano il superamento della coppia massima sopportata dal riduttore per il servizio in S1.

*N.B.: value * indicate that maximum torque withstood by gear reducer for service in S1 is exceeded.*

Tipo Type	Numero di poli Number of poles	Numero di fasi Number of phase	Tensione Rated voltage [V]	Numero di giri Rated speed [rpm]	Coppia nominale Rated torque [Nm]	Potenza nominale Rated power [W]
BL070.240	8	3	24	3000	0.7	220
BL070.480 BL070.48B	8	3	48	3000	0.7	220
Tipo Type	Coppia massima Peak torque [Nm]	Corrente nominale Rated current [A]	Resistenza Resistance [ohm]	Induttanza Inductance [mH]	Corrente massima Peak current [A]	Peso Weight [kg]
BL070.240	2.1	13	0.091	0.23	26	2.1
BL070.480 BL070.48B	1.4	6.5	0.34	1.0	13	2.1



WMP030/811..U
+
BL070.240
BL070.480

