

**WMP026/622 con motore brushless CC**

**WMP026/622 with brushless DC motor**

WMP 026/622	BLS022.240												
	24V						36V						
	n <sub>2</sub> MIN		n <sub>2</sub> MAX		n <sub>1</sub> MAX [ rpm ]	n <sub>2</sub> MIN		n <sub>2</sub> MAX		n <sub>1</sub> MAX [ rpm ]			
M <sub>2</sub>	sf	M <sub>2</sub>	sf	M <sub>2</sub>		sf	M <sub>2</sub>	sf					
289.3	1.0	35	1.4	10.4	41	1.2	1.4	37	1.4	13.8	41	1.2	4000
434.0	0.7	48	1.0	6.9	50	1.0*	0.9	50	1.0	9.2	50	1.0*	
578.6	0.5	50	1.0*	5.2	50	1.0*	0.7	50	1.0*	6.9	50	1.0*	
867.9	0.3	50	1.0*	3.5	50	1.0*	0.5	50	1.0*	4.6	50	1.0*	
1157	0.3	50	1.0*	2.6	50	1.0*	0.3	50	1.0*	3.5	50	1.0*	
1447	0.2	50	1.0*	2.1	50	1.0*	0.3	50	1.0*	2.8	50	1.0*	
1736	0.2	50	1.0*	1.7	50	1.0*	0.2	50	1.0*	2.3	50	1.0*	
2098	0.1	50	1.0*	1.4	50	1.0*	0.2	50	1.0*	1.9	50	1.0*	
2734	0.1	50	1.0*	1.1	50	1.0*	0.1	50	1.0*	1.5	50	1.0*	

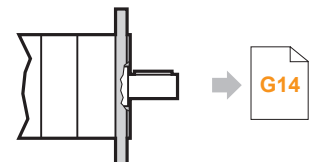
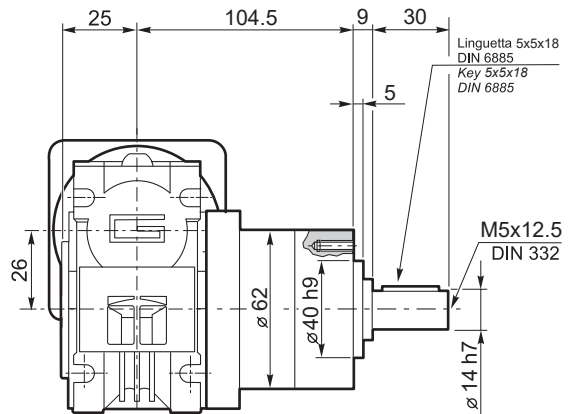
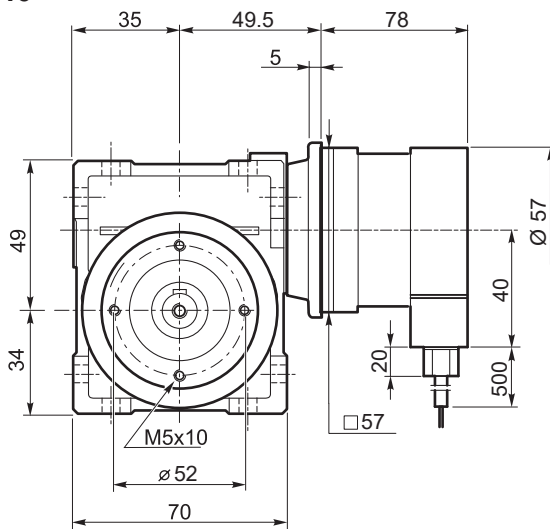
**Nota:** I valori \* indicano il superamento della coppia massima sopportata dal riduttore per il servizio in S1.

*N.B.: value \* indicate that maximum torque withstood by gear reducer for service in S1 is exceeded.*

Tipo Type	Numero di poli Number of poles	Numero di fasi Number of phase	Tensione Rated voltage [ V ]	Numero di giri Rated speed [ rpm ]	Coppia nominale Rated torque [ Nm ]	Potenza nominale Rated power [ W ]
BLS022.240	4	3	36	4000	0.22	92
			24	3000		70
Tipo Type	Coppia massima Peak torque [ Nm ]	Corrente nominale Rated current [ A ]	Resistenza Resistance [ ohm ]	Induttanza Inductance [ mH ]	Corrente massima Peak current [ A ]	Peso Weight [ kg ]
BLS022.240	0.44	3.7	0.64	3.1	7.4	0.72



**WMP026/622..U  
+  
BLS022.240**



**WMP026/622...C**