

Motoriduttori brushless CC combinati Brushless DC double reduction gearmotors

WMP026/521 con motore brushless CC

WMP026/521 with brushless DC motor

WMP 026/521	BLS022.240											
	24V						36V					
	n ₂ MIN		n ₂ MAX		n ₁ MAX [rpm]	n ₂ MIN		n ₂ MAX		n ₁ MAX [rpm]		
M ₂	sf	M ₂	sf	M ₂		sf	M ₂	sf				
ir	4.4	8.8	2.0	44.4	10	1.8	5.9	9.2	2.0	59.3	10	1.8
67.5	3.0	12	1.5	29.6	15	1.2	4.0	12	1.4	39.5	15	1.2
101.3	2.2	15	1.2	22.2	18	1.0*	3.0	16	1.1	29.6	18	1.0*
135.0	1.5	18	1.0*	14.8	18	1.0*	2.0	18	1.0*	19.8	18	1.0*
202.5	1.1	18	1.0*	11.1	18	1.0*	1.5	18	1.0*	14.8	18	1.0*
270.0	0.9	18	1.0*	8.9	18	1.0*	1.2	18	1.0*	11.9	18	1.0*
337.5	0.7	18	1.0*	7.4	18	1.0*	1.0	18	1.0*	9.9	18	1.0*
405.0												

Nota: I valori * indicano il superamento della coppia massima sopportata dal riduttore per il servizio in S1.

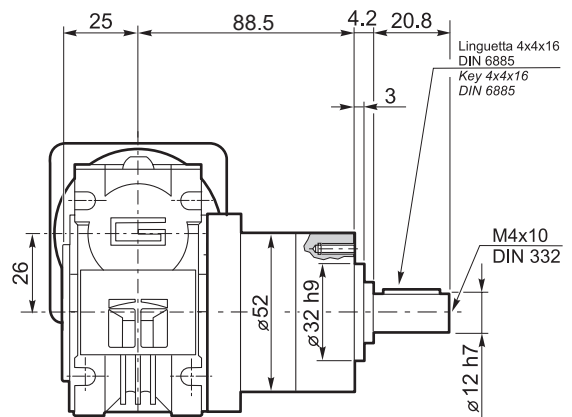
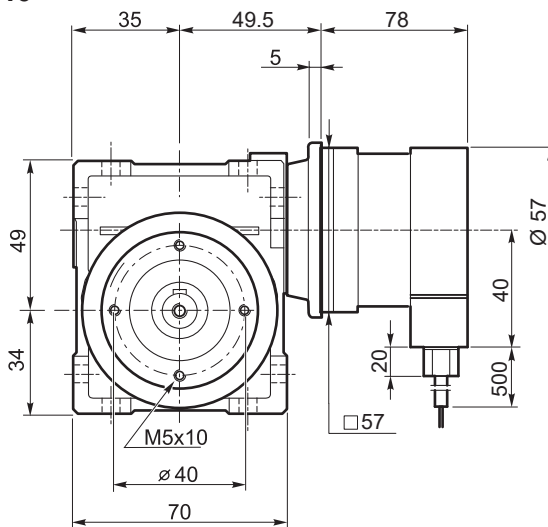
N.B.: value * indicate that maximum torque withstood by gear reducer for service in S1 is exceeded.

Tipo Type	Numero di poli Number of poles	Numero di fasi Number of phase	Tensione Rated voltage [V]	Numero di giri Rated speed [rpm]	Coppia nominale Rated torque [Nm]	Potenza nominale Rated power [W]
BLS022.240	4	3	36	4000	0.22	92
			24	3000		70
Tipo Type	Coppia massima Peak torque [Nm]	Corrente nominale Rated current [A]	Resistenza Resistance [ohm]	Induttanza Inductance [mH]	Corrente massima Peak current [A]	Peso Weight [kg]
BLS022.240	0.44	3.7	0.64	3.1	7.4	0.72

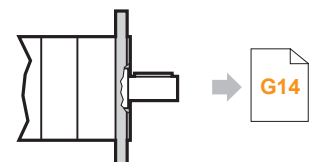
Azionamenti
Drives



WMP026/521..U
+
BLS022.240



Kg
2.3



WMP026/521...C