

Motoriduttori brushless CC epicicloidali

Brushless DC planetary gearmotors

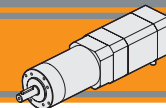
P81 con motore brushless CC

P81with brushless DC motor

P81			BL140.480						BL210.480 / BL210.48E							
			48V						48V							
Ns	ir	in	n _{2MIN} [rpm]			n _{2MAX} [rpm]			n _{1MAX} [rpm]	n _{2MIN} [rpm]			n _{2MAX} [rpm]			n _{1MAX} [rpm]
			M ₂ [Nm]	sf		M ₂ [Nm]	sf			M ₂ [Nm]	sf		M ₂ [Nm]	sf		
1	3.70	4	81	4.1	6.9	811	4.1	4.7	3000	81	6.2	4.6	811	6.2	3.1	3000
	4.28	4	70	4.8	6.0	701	4.8	4.1		70	7.2	4.0	701	7.2	2.7	
	5.18	5	58	5.8	5.0	579	5.8	3.4		58	8.7	3.3	579	8.7	2.2	
	6.75	7	44	7.6	3.8	444	7.6	2.6		44	11	2.5	444	11	1.7	
2	13.73	14	22	14	6.1	218	14	4.2	3000	22	21	4.1	218	21	2.8	3000
	15.88	16	19	17	5.3	189	16	3.6		19	25	3.5	189	25	2.4	
	18.36	18	16	19	4.6	163	19	3.1		16	28	3.1	163	28	2.1	
	19.20	19	16	20	4.4	156	20	3.0		16	30	2.9	156	30	2.0	
	22.20	22	14	23	3.8	135	23	2.6		14	35	2.5	135	35	1.7	
	25.01	25	12	26	3.4	120	26	2.3		12	39	2.2	120	39	1.5	
	26.85	27	11	28	3.1	112	28	2.1		11	42	2.1	112	42	1.4	
	28.93	29	10	30	2.9	104	30	2.0		10	46	1.9	104	46	1.3	
	34.97	35	8.6	37	2.4	86	37	1.6		8.6	55	1.6	86	55	1.1	
	45.56	46	6.6	48	1.9	66	48	1.3		6.6	72	1.2	66	72	0.8	
3	50.89	51	5.9	50	3.6	59	50	2.4	3000	5.9	75	2.4	59	75	1.6	3000
	58.85	59	5.1	58	3.1	51	58	2.1		5.1	87	2.0	51	87	1.4	
	68.06	68	4.4	67	2.7	44	67	1.8		4.4	100	1.8	44	100	1.2	
	71.16	71	4.2	70	2.5	42	70	1.7		4.2	105	1.7	42	105	1.1	
	78.71	79	3.8	77	2.3	38	77	1.6		3.8	116	1.5	38	116	1.0	
	92.70	93	3.2	91	1.9	32	91	1.3		3.2	136	1.3	32	136	0.9	
	95.17	95	3.2	93	1.9	32	93	1.3		3.2	140	1.3	32	140	0.9	
	99.50	100	3.0	98	1.8	30	98	1.2		3.0	146	1.2	30	146	0.8	
	107.20	107	2.8	105	1.7	28	105	1.1		2.8	158	1.1	28	158	0.8	
	115.07	115	2.6	113	1.6	26	113	1.1		2.6	169	1.0	26	169	0.7	
	123.97	124	2.4	121	1.5	24	121	1.0		2.4	182	1.0	24	171	0.7	
	129.62	130	2.3	127	1.4	23	127	0.9		2.3	191	0.9	23	171	0.7	
	139.13	139	2.2	136	1.3	22	136	0.9		2.2	205	0.9	22	171	0.7	
	149.90	150	2.0	147	1.2	20	147	0.8		2.0	220	0.8	20	171	0.7	
	168.84	169	1.8	165	1.1	18	165	0.7		1.8	248	0.7	18	171	0.7	
	181.24	181	1.7	178	1.0	17	171	0.7		1.7	250	0.7	17	171	0.7	
195.26	195	1.5	191	0.9	15	171	0.7	1.5	250	0.7	15	171	0.7			
236.09	236	1.3	231	0.8	13	171	0.7	1.3	250	0.7	13	171	0.7			
307.54	308	1.0	250	0.7	9.8	171	0.7	1.0	250	0.7	9.8	171	0.7			

Rapporti preferenziali
Preferred ratios

Attenzione: superamento della coppia nominale supportata dal riduttore per servizio S1.
Contattare il ns. servizio tecnico
Attention: rated torque withstood by gear reducer for service in S1 is exceeded.
Please, contact our technical office.



P81 con motore brushless CC

P81 with brushless DC motor

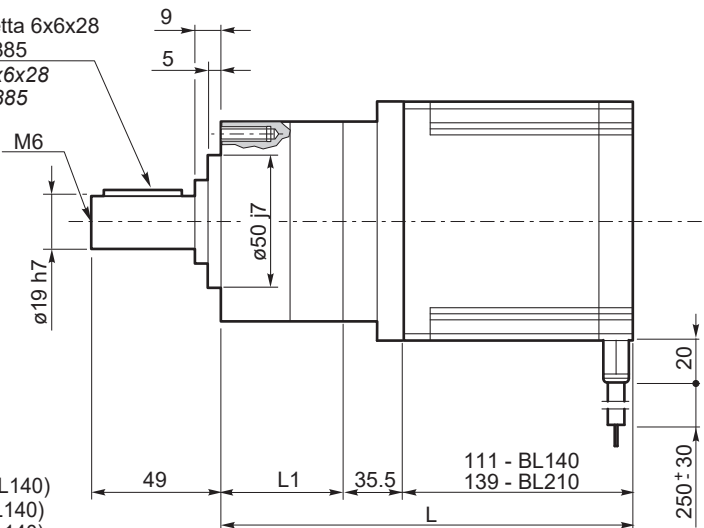
Tipo Type	Numero di poli Number of poles	Numero di fasi Number of phase	Tensione Rated voltage [V]	Numero di giri Rated speed [rpm]	Coppia nominale Rated torque [Nm]	Potenza nominale Rated power [W]
BL140.480	8	3	48	3000	1.4	440
BL210.480 BL210.48E	8	3	48	3000	2.1	660
Tipo Type	Coppia massima Peak torque [Nm]	Corrente nominale Rated current [A]	Resistenza Resistance [ohm]	Induttanza Inductance [mH]	Corrente massima Peak current [A]	Peso Weight [kg]
BL140.480	2.8	13	0.16	0.5	26	3.15
BL210.480 BL210.48E	4.2	18.7	0.115	0.31	37	4.2

Azionamenti
Drives

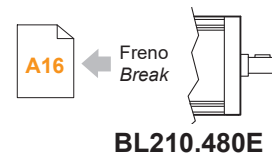
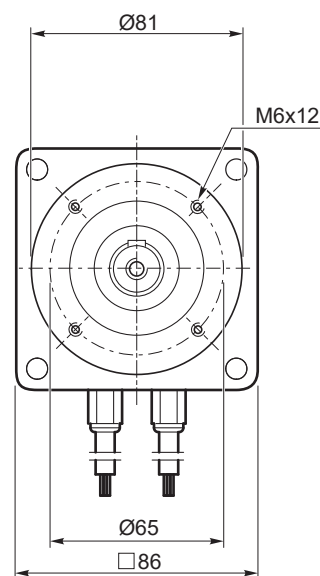


P81..
+
BL140.480
BL210.480

Linguetta 6x6x28
DIN 6885
Key 6x6x28
DIN 6885



- 5.0 (P81 1..+ BL140)
- 5.7 (P81 2..+BL140)
- 6.4 (P81 3..+BL140)
- 6.0 (P81 1..+BL210)
- 6.7 (P81 2..+BL210)
- 7.4 (P81 3..+BL210)



P81	Ns	L1	BL 140.480	BL 210.480
			L	L
	1	59	205.5	233.5
	2	81	227.5	255.5
	3	103	249.5	277.5

