

# Motoriduttori brushless CC a vite senza fine Brushless DC Wormgearmotors

CM040 con motore brushless CC

CM040 with brushless DC motor

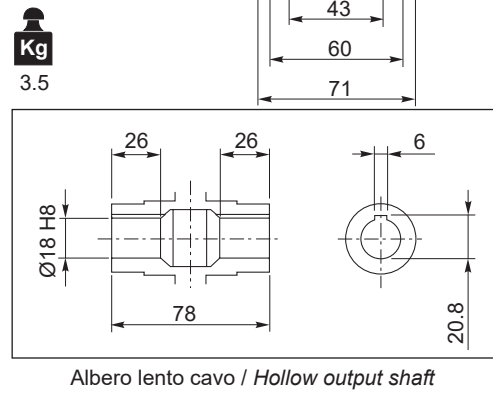
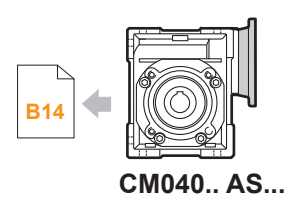
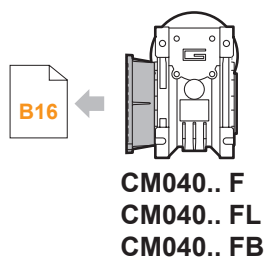
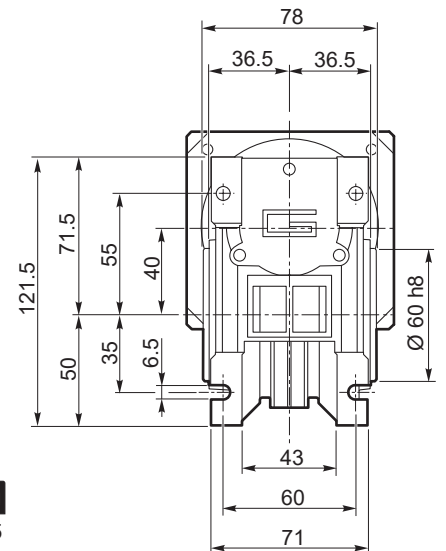
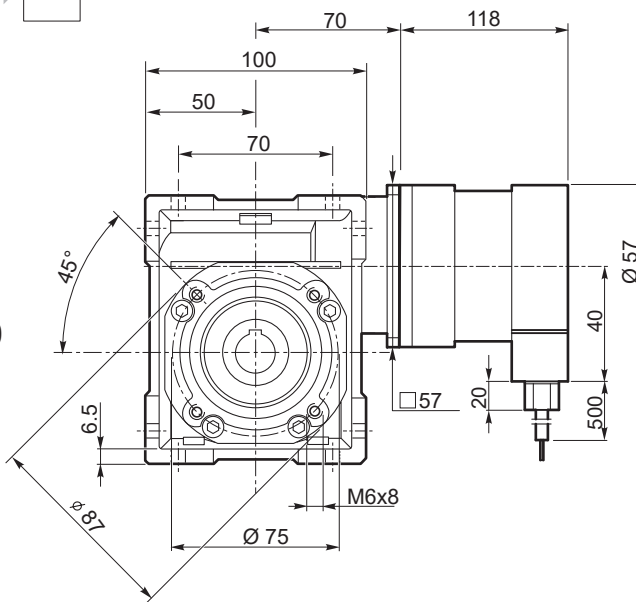
CM040	BLS043.240											
	24V						36V					
	n <sub>2</sub> MIN		sf	n <sub>2</sub> MAX		n <sub>1</sub> MAX [rpm]	n <sub>2</sub> MIN		sf	n <sub>2</sub> MAX		n <sub>1</sub> MAX [rpm]
M <sub>2</sub>		M <sub>2</sub>			M <sub>2</sub>			M <sub>2</sub>				
5	60	1.8	35	600	2.0	14	80	1.8	35	800	2.0	14
7.5	40	2.6	26	400	2.9	11	53	2.6	26	533	2.9	11
10	30	3.4	20	300	3.7	8.9	40	3.4	20	400	3.7	8.9
15	20	4.6	15	200	5.4	6.5	26	4.6	15	267	5.4	6.5
20	15	5.8	10	150	7.2	4.3	20	5.8	10	200	7.2	4.3
25	12	6.9	7.8	120	8.6	3.2	16	6.9	7.8	160	8.6	3.2
30	10	7.9	9.4	100	10	3.8	13	7.9	9.4	133	10	3.8
40	7.5	9.6	6.8	75	13	2.6	10	9.6	6.8	100	13	2.6
50	6.0	12	5.5	60	15	2.1	8	12	5.5	80	15	2.1
60	5.0	12	4.7	50	17	1.7	6.6	12	4.7	67	17	1.7
80	3.7	14	3.6	38	21	1.3	5	14	3.6	50	21	1.3
100	3.0	16	2.8	30	24	1.0	4	16	2.8	40	24	1.0

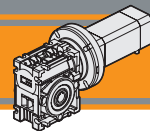
Tipo Type	Numero di poli Number of poles	Numero di fasi Number of phase	Tensione Rated voltage [V]	Numero di giri Rated speed [rpm]	Coppia nominale Rated torque [Nm]	Potenza nominale Rated power [W]
BLS043.240	4	3	36	4000	0.43	180
	4	3	24	3000	0.43	130
Tipo Type	Coppia massima Peak torque [Nm]	Corrente nominale Rated current [A]	Resistenza Resistance [ohm]	Induttanza Inductance [mH]	Corrente massima Peak current [A]	Peso Weight [kg]
BLS043.240	0.86	6	0.35	1.0	12.0	1.25

Azionamenti Drives

H1

CM040..U  
+  
BLS043.240





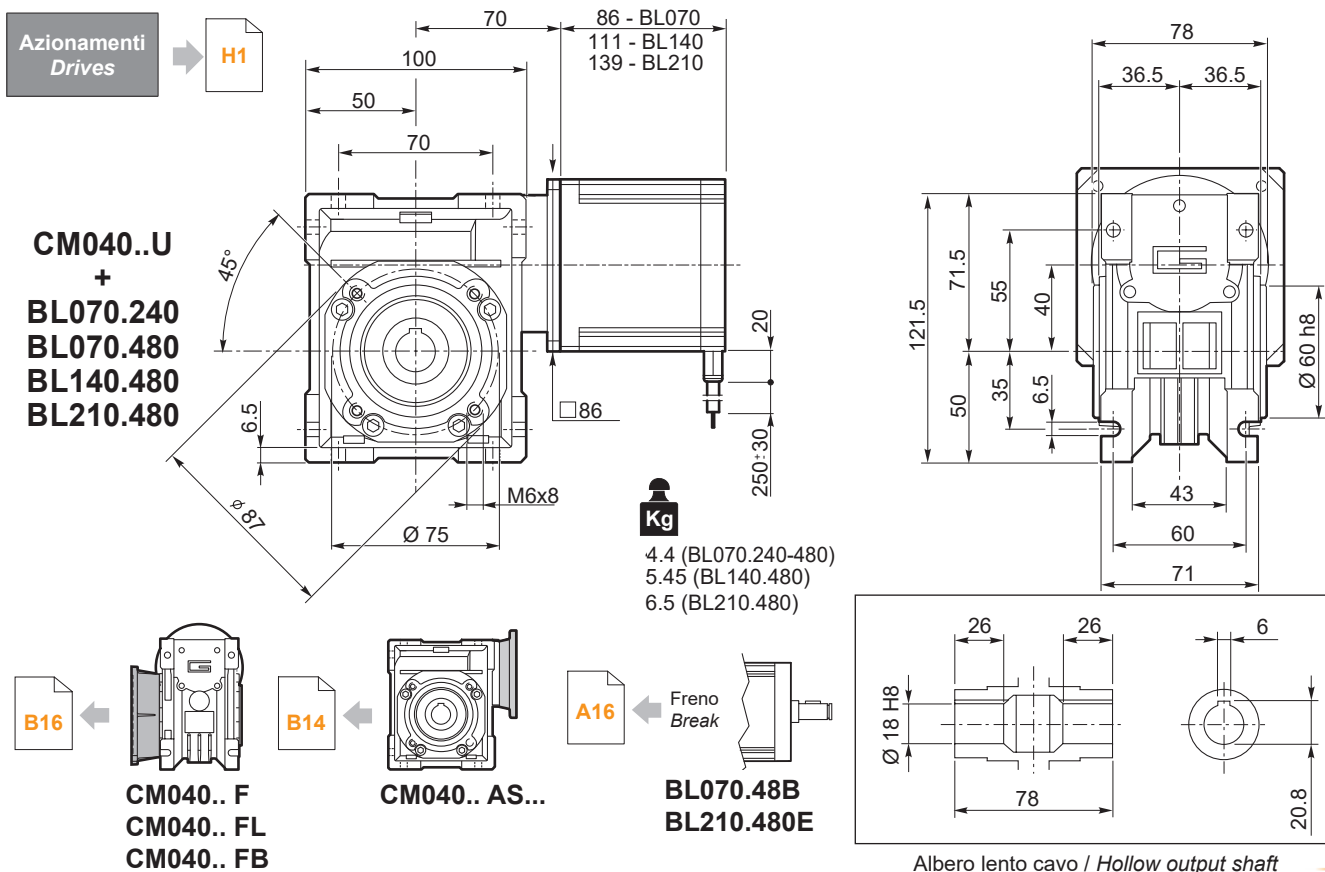
CM040 con motore brushless CC

CM040 with brushless DC motor

CM040	BL070.240 BL070.480 / BL070.48B						BL140.480						BL210.480 / BL210.48E								
	24V / 48V						48V						48V								
	ir	n <sub>2</sub> MIN		n <sub>2</sub> MAX			n <sub>1</sub> MAX [rpm]	n <sub>2</sub> MIN		n <sub>2</sub> MAX			n <sub>1</sub> MAX [rpm]	n <sub>2</sub> MIN		n <sub>2</sub> MAX			n <sub>1</sub> MAX [rpm]		
M <sub>2</sub>		sf	M <sub>2</sub>	sf	M <sub>2</sub>	sf		M <sub>2</sub>	sf	M <sub>2</sub>	sf	M <sub>2</sub>		sf	M <sub>2</sub>	sf	M <sub>2</sub>	sf			
5	60	2.9	25	600	3.2	9.2	3000	60	5.8	13	600	6.3	4.6	3000	60	8.6	8.5	600	9.4	3.1	3000
7.5	40	4.2	18	400	4.7	6.6		40	8.4	9.0	400	9.3	3.3		40	12	6.1	400	14	2.2	
10	30	5.3	14	300	6.1	5.4		30	11	7.1	300	12	2.7		30	16	4.7	300	18	1.8	
15	20	7.4	11	200	8.8	3.9		20	15	5.1	200	18	2.0		20	22	3.6	200	27	1.3	
20	15	9.5	7.1	150	12	2.6		15	19	3.6	150	23	1.3		15	29	2.3	150	35	0.9	
25	12	11	5.4	120	14	2.0		12	22	2.8	120	28	1.0		12	34	1.8	120	42	0.7	
30	10	12	6.7	100	16	2.3		10	24	3.4	100	32	1.2		10	37	2.2	100	49	0.8	
40	7.5	15	4.5	75	20	1.6		8	29	2.4	75	41	0.8		7.5	45	1.5	75	52	0.7	
50	6.0	17	3.7	60	24	1.3		6	33	1.9	60	41	0.7		6.0	50	1.2	60	41	0.7	
60	5.0	19	3.0	50	28	1.0		5	37	1.5	50	36	0.7		5.0	57	1.0	50	36	0.7	
80	3.7	22	2.2	38	34	0.8	4	43	1.2	38	39	0.7	3.7	66	0.7	38	39	0.7			
100	3.0	24	1.8	30	33	0.7	3	47	1.0	30	33	0.7	3.0	63	0.7	30	33	0.7			

Attenzione: superamento della coppia nominale supportata dal riduttore per servizio S1. Contattare il ns. servizio tecnico  
Attention: rated torque withstood by gear reducer for service in S1 is exceeded. Please, contact our technical office.

Tipo Type	Numero di poli Number of poles	Numero di fasi Number of phase	Tensione Rated voltage [V]	Numero di giri Rated speed [rpm]	Coppia nominale Rated torque [Nm]	Potenza nominale Rated power [W]
BL070.240	8	3	24	3000	0.7	220
BL070.480 BL070.48B	8	3	48	3000	0.7	220
BL140.480	8	3	48	3000	1.4	440
BL210.480 BL210.48E	8	3	48	3000	2.1	660
Tipo Type	Coppia massima Peak torque [Nm]	Corrente nominale Rated current [A]	Resistenza Resistance [ohm]	Induttanza Inductance [mH]	Corrente massima Peak current [A]	Peso Weight [kg]
BL070.240	2.1	13	0.091	0.23	26	2.1
BL070.480 BL070.48B	1.4	6.5	0.34	1.0	13	2.1
BL140.480	2.8	13	0.16	0.5	26	3.15
BL210.480 BL210.48E	4.2	18.7	0.115	0.31	37	4.2



Brushless DC

CM