

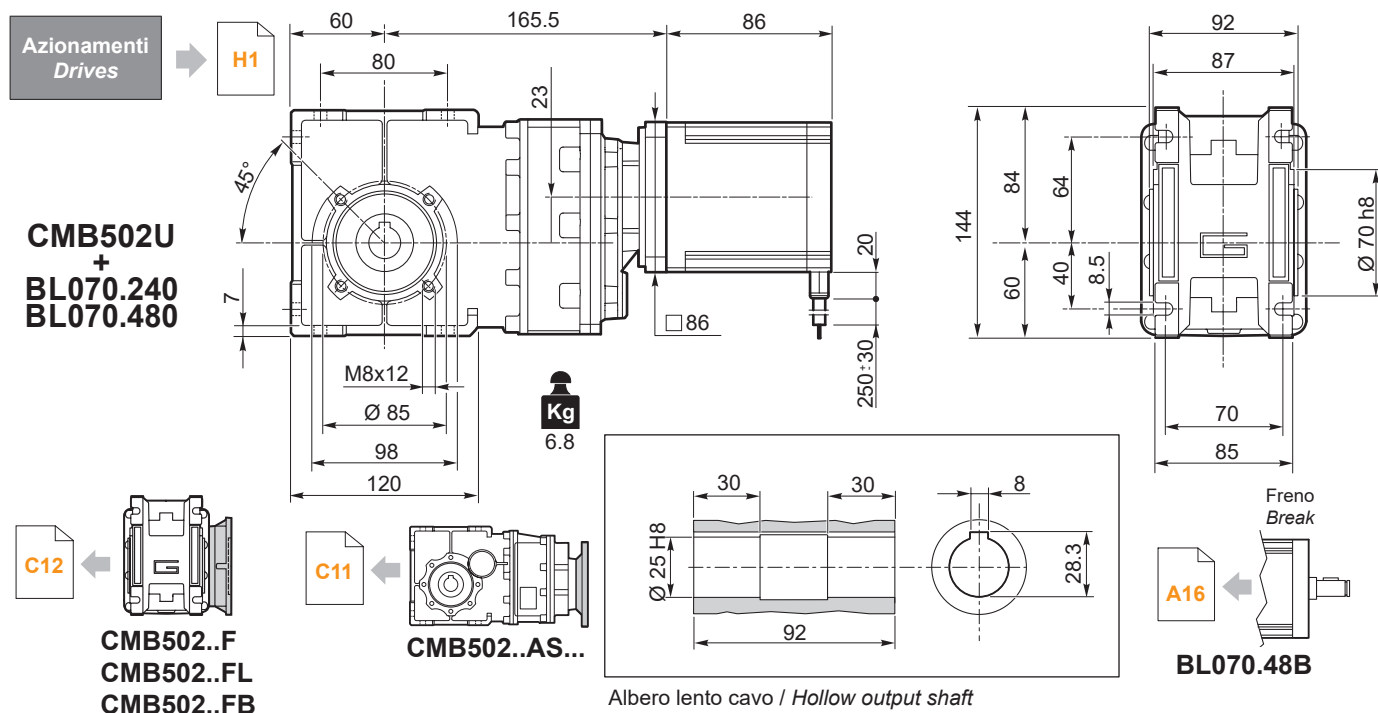
CMB502 con motore brushless CC

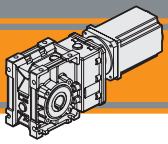
CMB502 with brushless DC motor

CMB502	BL070.240 / BL070.480 / BL070.48B					
	24V / 48V					
	ir	n _{2MIN} [rpm]			n _{2MAX} [rpm]	
M ₂ [Nm]		sf		M ₂ [Nm]	sf	n _{1MAX} [rpm]
6.2	49	4.1	19.8	486	4.1	13.4
7.5	40	4.9	16.3	400	4.9	11.1
9.2	33	6.1	13.3	326	6.1	9.0
11.8	25	7.8	13.3	254	7.8	9.0
12.5	24	8.2	12.6	240	8.2	8.5
14.8	20	9.8	10.6	202	9.8	7.2
17.6	17	12	8.9	170	12	6.1
18.6	16	12	10.3	161	12	7.0
22.3	13	15	8.6	134	15	5.8
23.9	13	16	8.0	125	16	5.5
28.9	10	19	7.6	104	19	5.1
30.8	9.7	20	7.1	97	20	4.8
33.6	8.9	22	6.5	89	22	4.4
35.6	8.4	23	6.1	84	23	4.2
42.8	7.0	28	5.1	70	28	3.5
55.3	5.4	36	3.9	54	36	2.7
59.1	5.1	39	3.7	51	39	2.5
64.3	4.7	42	3.4	47	42	2.3
72.5	4.1	48	3.0	41	48	2.0

CMB Brushless DC

Tipo Type	Numero di poli Number of poles	Numero di fasi Number of phase	Tensione Rated voltage [V]	Numero di giri Rated speed [rpm]	Coppia nominale Rated torque [Nm]	Potenza nominale Rated power [W]
BL070.240	8	3	24	3000	0.7	220
BL070.480 BL070.48B	8	3	48	3000	0.7	220
Tipo Type	Coppia massima Peak torque [Nm]	Corrente nominale Rated current [A]	Resistenza Resistance [ohm]	Induttanza Inductance [mH]	Corrente massima Peak current [A]	Peso Weight [kg]
BL070.240	2.1	13	0.091	0.23	26	2.1
BL070.480 BL070.48B	1.4	6.5	0.34	1.0	13	2.1





Motoriduttori brushless CC ad assi ortogonali Brushless DC helical bevel gearmotors

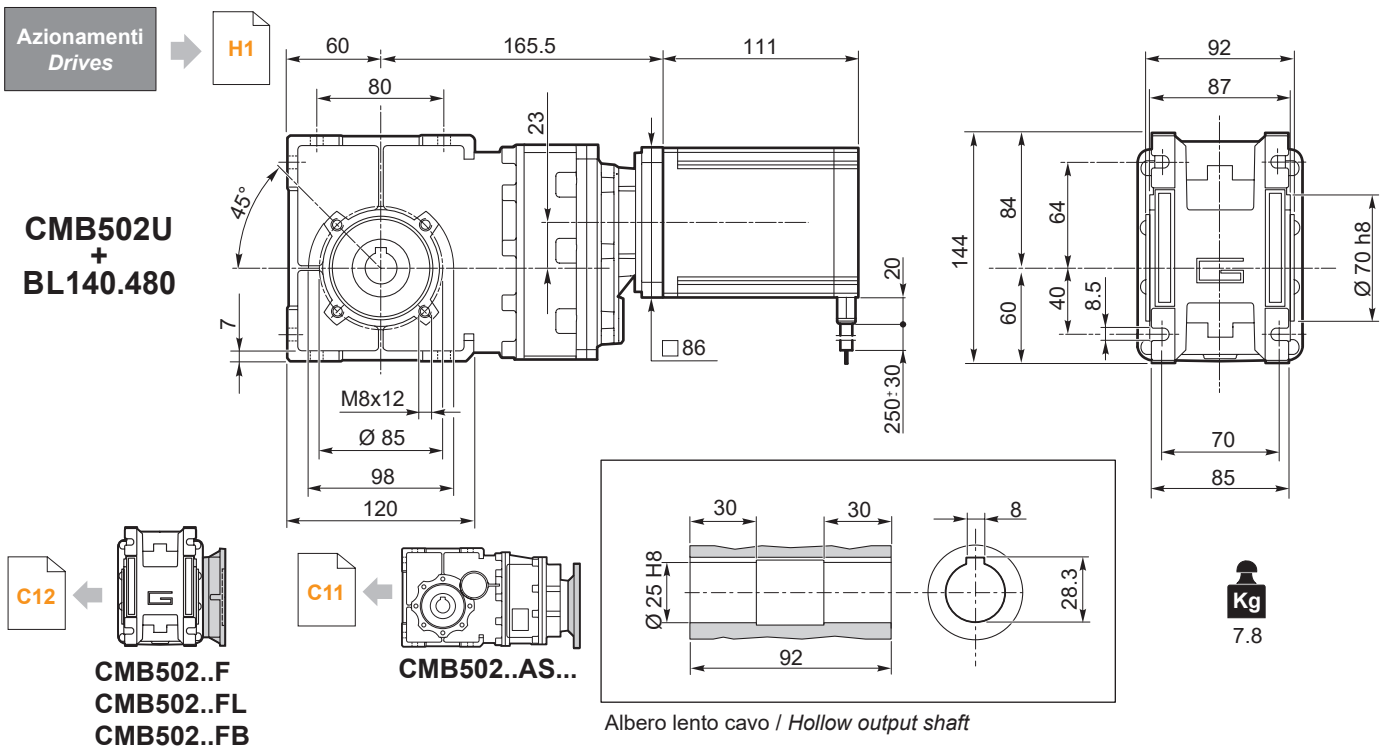
CMB502 con motore brushless CC

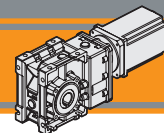
CMB502 with brushless DC motor

CMB502	BL140.480						
	48V						
	ir	n _{2MIN} [rpm]			n _{2MAX} [rpm]		
M ₂ [Nm]		sf		M ₂ [Nm]	sf		
6.2	49	8.1	9.9	486	8.1	6.7	3000
7.5	40	9.9	8.2	400	9.9	5.5	
9.2	33	12	6.6	326	12	4.5	
11.8	25	15	6.6	254	15	4.5	
12.5	24	16	6.3	240	16	4.3	
14.8	20	19	5.3	202	19	3.6	
17.6	17	23	4.5	170	23	3.0	
18.6	16	24	5.2	161	24	3.5	
22.3	13	29	4.3	134	29	2.9	
23.9	13	31	4.0	125	31	2.7	
28.9	10	38	3.8	104	38	2.6	
30.8	9.7	41	3.5	97	41	2.4	
33.6	8.9	44	3.3	89	44	2.2	
35.6	8.4	47	3.1	84	47	2.1	
42.8	7.0	56	2.6	70	56	1.7	
55.3	5.4	73	2.0	54	73	1.3	
59.1	5.1	78	1.8	51	78	1.3	
64.3	4.7	85	1.7	47	85	1.2	
72.5	4.1	95	1.5	41	95	1.0	

Attenzione: superamento della coppia nominale supportata dal riduttore per servizio S1.
Contattare il ns. servizio tecnico
Attention: rated torque withstood by gear reducer for service in S1 is exceeded.
Please. contact our technical office.

Tipo Type	Numero di poli Number of poles	Numero di fasi Number of phase	Tensione Rated voltage [V]	Numero di giri Rated speed [rpm]	Coppia nominale Rated torque [Nm]	Potenza nominale Rated power [W]
BL140.480	8	3	48	3000	1.4	440
Tipo Type	Coppia massima Peak torque [Nm]	Corrente nominale Rated current [A]	Resistenza Resistance [ohm]	Induttanza Inductance [mH]	Corrente massima Peak current [A]	Peso Weight [kg]
BL140.480	2.8	13.0	0.16	0.5	26	3.15





CMB502	BL210.480 / BL210.48E					
	48V					
	ir	n _{2MIN} [rpm]			n _{2MAX} [rpm]	
M ₂ [Nm]		sf		M ₂ [Nm]	sf	n _{1MAX} [rpm]
6.2	49	12	6.6	486	12	4.5
7.5	40	15	5.4	400	15	3.7
9.2	33	18	4.4	326	18	3.0
11.8	25	23	4.4	254	23	3.0
12.5	24	25	4.2	240	25	2.8
14.8	20	29	3.5	202	29	2.4
17.6	17	35	3.0	170	35	2.0
18.6	16	37	3.4	161	37	2.3
22.3	13	44	2.9	134	44	1.9
23.9	13	47	2.7	125	47	1.8
28.9	10	57	2.5	104	57	1.7
30.8	9.7	61	2.4	97	61	1.6
33.6	8.9	66	2.2	89	66	1.5
35.6	8.4	70	2.0	84	70	1.4
42.8	7.0	84	1.7	70	84	1.2
55.3	5.4	109	1.3	54	109	0.9
59.1	5.1	117	1.2	51	117	0.8
64.3	4.7	127	1.1	47	127	0.8
72.5	4.1	143	1.0	41	139	0.7

Attenzione: superamento della coppia nominale supportata dal riduttore per servizio S1.

Contattare il ns. servizio tecnico

Attention: rated torque withstood by gear reducer for service in S1 is exceeded.

Please. contact our technical office.

Tipo Type	Numero di poli Number of poles	Numero di fasi Number of phase	Tensione Rated voltage [V]	Numero di giri Rated speed [rpm]	Coppia nominale Rated torque [Nm]	Potenza nominale Rated power [W]
BL210.480 BL210.48E	8	3	48	3000	2.1	660
Tipo Type	Coppia massima Peak torque [Nm]	Corrente nominale Rated current [A]	Resistenza Resistance [ohm]	Induttanza Inductance [mH]	Corrente massima Peak current [A]	Peso Weight [kg]
BL210.480 BL210.48E	4.2	18.7	0.115	0.31	37	4.2

