

# Motoriduttori brushless CC ad assi ortogonali

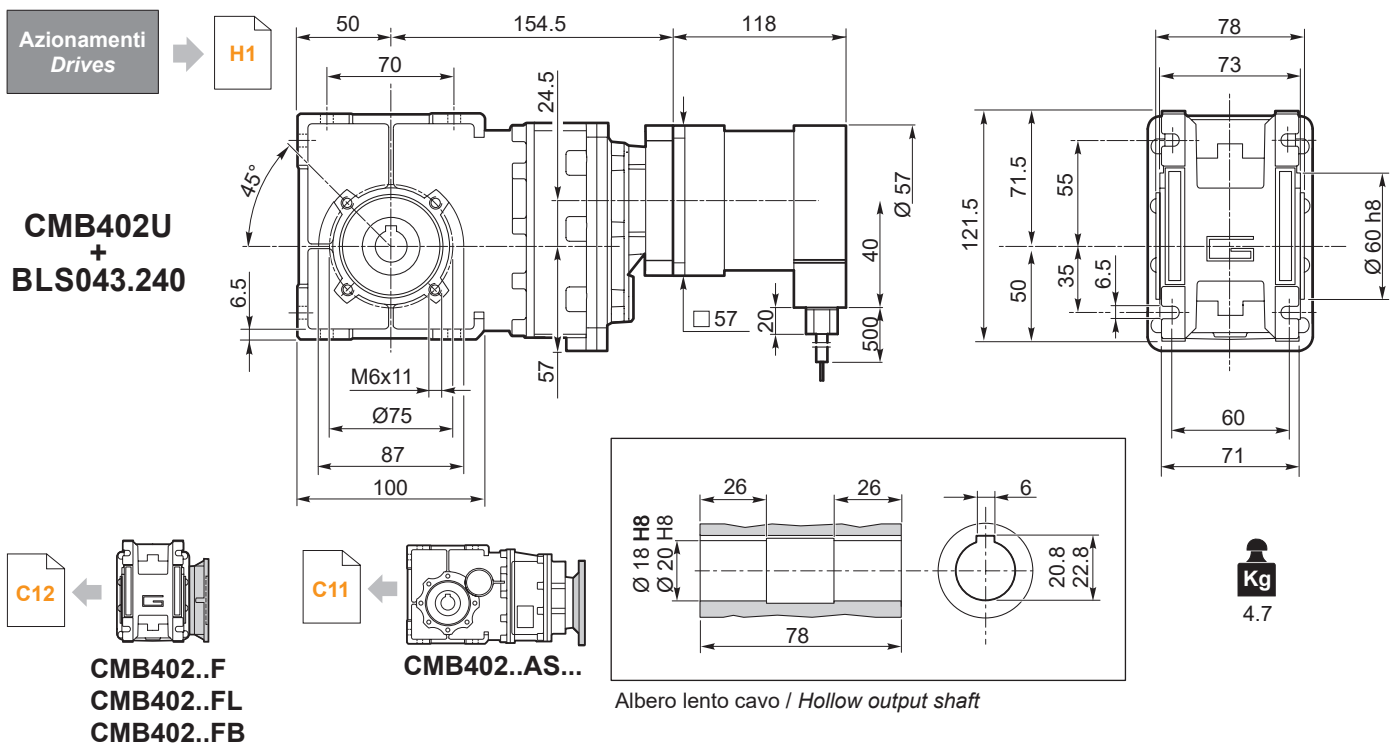
## Brushless DC helical bevel gearmotors

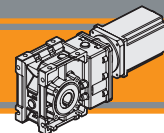
CMB402 con motore brushless CC

CMB402 with brushless DC motor

CMB402	BLS043.240													
	24V						36V							
	n <sub>2MIN</sub> [ rpm ]			n <sub>2MAX</sub> [ rpm ]			n <sub>1MAX</sub> [ rpm ]	n <sub>2MIN</sub> [ rpm ]			n <sub>2MAX</sub> [ rpm ]			n <sub>1MAX</sub> [ rpm ]
ir	M <sub>2</sub> [Nm]	sf	M <sub>2</sub> [Nm]	sf		M <sub>2</sub> [Nm]		sf	M <sub>2</sub> [Nm]	sf		M <sub>2</sub> [Nm]	sf	
6.2	49	2.5	18.4	486	2.5	12.5	3000	65	2.5	18.4	648	2.5	11.1	4000
7.5	40	3.0	15.2	400	3.0	10.3		53	3.0	15.2	534	3.0	9.1	
9.2	33	3.7	12.4	326	3.7	8.4		43	3.7	12.4	435	3.7	7.4	
11.8	25	4.8	10.8	254	4.8	7.3		34	4.8	10.8	338	4.8	6.5	
12.5	24	5.0	10.3	240	5.0	7.0		32	5.0	10.3	320	5.0	6.2	
14.8	20	6.0	8.6	202	6.0	5.9		27	6.0	8.6	270	6.0	5.2	
17.6	17	7.1	7.3	170	7.1	4.9		23	7.1	7.3	227	7.1	4.4	
18.6	16	7.5	8.4	161	7.5	5.7		22	7.5	8.4	215	7.5	5.0	
22.3	13	9.0	7.0	134	9.0	4.8		18	9.0	7.0	179	9.0	4.2	
23.9	13	9.7	6.5	125	9.7	4.4		17	9.7	6.5	167	9.7	3.9	
28.9	10	12	6.4	104	12	4.3		14	12	6.4	138	12	3.8	
30.8	9.7	12	6.0	97	12	4.1		13	12	6.0	130	12	3.6	
33.6	8.9	14	5.5	89	14	3.7		12	14	5.5	119	14	3.3	
35.6	8.4	14	5.2	84	14	3.5		11	14	5.2	112	14	3.1	
42.8	7.0	17	4.3	70	17	2.9		9.4	17	4.3	94	17	2.6	
55.3	5.4	22	3.3	54	22	2.3		7.2	22	3.3	72	22	2.0	
59.1	5.1	24	3.1	51	24	2.1		6.8	24	3.1	68	24	1.9	
64.3	4.7	26	2.9	47	26	2.0		6.2	26	2.9	62	26	1.7	
72.5	4.1	29	2.6	41	29	1.7		5.5	29	2.6	55	29	1.5	

Tipo Type	Numero di poli Number of poles	Numero di fasi Number of phase	Tensione Rated voltage [ V ]	Numero di giri Rated speed [ rpm ]	Coppia nominale Rated torque [ Nm ]	Potenza nominale Rated power [ W ]
BLS043.240	4	3	36	4000	0.43	180
			24	3000		130
Tipo Type	Coppia massima Peak torque [ Nm ]	Corrente nominale Rated current [ A ]	Resistenza Resistance [ ohm ]	Induttanza Inductance [ mH ]	Corrente massima Peak current [ A ]	Peso Weight [ kg ]
BLS043.240	0.86	6	0.35	1	12.0	1.25





CMB402 con motore brushless CC

CMB402 with brushless DC motor

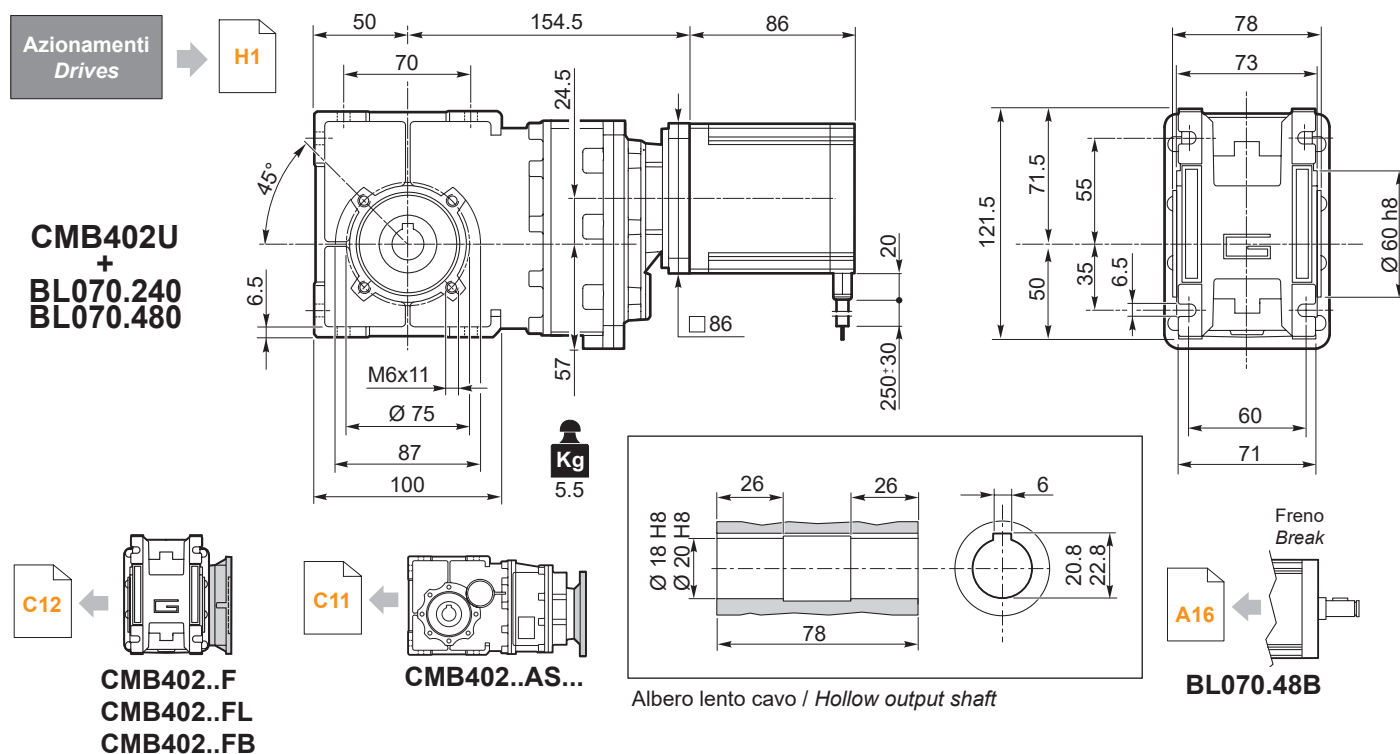
CMB402	BL070.240 / BL070.480 / BL070.48B					
	24V / 48V					
	ir	n <sub>2MIN</sub> [ rpm ]			n <sub>2MAX</sub> [ rpm ]	
M <sub>2</sub> [Nm]		sf		M <sub>2</sub> [Nm]	sf	n <sub>1MAX</sub> [ rpm ]
6.2	49	4.1	11.3	486	4.1	7.7
7.5	40	4.9	9.3	400	4.9	6.3
9.2	33	6.1	7.6	326	6.1	5.2
11.8	25	7.8	6.6	254	7.8	4.5
12.5	24	8.2	6.3	240	8.2	4.3
14.8	20	9.8	5.3	202	9.8	3.6
17.6	17	12	4.5	170	12	3.0
18.6	16	12	5.2	161	12	3.5
22.3	13	15	4.3	134	15	2.9
23.9	13	16	4.0	125	16	2.7
28.9	10	19	3.9	104	19	2.7
30.8	9.7	20	3.7	97	20	2.5
33.6	8.9	22	3.4	89	22	2.3
35.6	8.4	23	3.2	84	23	2.2
42.8	7.0	28	2.7	70	28	1.8
55.3	5.4	36	2.1	54	36	1.4
59.1	5.1	39	1.9	51	39	1.3
64.3	4.7	42	1.8	47	42	1.2
72.5	4.1	48	1.6	41	48	1.1

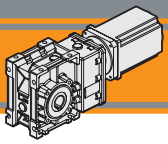
CMB Brushless DC

Tipo Type	Numero di poli Number of poles	Numero di fasi Number of phase	Tensione Rated voltage [ V ]	Numero di giri Rated speed [ rpm ]	Coppia nominale Rated torque [ Nm ]	Potenza nominale Rated power [ W ]
BL070.240	8	3	24	3000	0.7	220
BL070.480 BL070.48B	8	3	48	3000	0.7	220

Tipo Type	Coppia massima Peak torque [ Nm ]	Corrente nominale Rated current [ A ]	Resistenza Resistance [ ohm ]	Induttanza Inductance [ mH ]	Corrente massima Peak current [ A ]	Peso Weight [ kg ]
BL070.240	2.1	13	0.091	0.23	26	2.1
BL070.480 BL070.48B	1.4	6.5	0.34	1.0	13	2.1





# Motoriduttori brushless CC ad assi ortogonali

## Brushless DC helical bevel gearmotors

CMB402 con motore brushless CC

CMB402 with brushless DC motor

CMB402	BL140.480					
	48V					
	ir	n <sub>2MIN</sub> [ rpm ]			n <sub>2MAX</sub> [ rpm ]	
M <sub>2</sub> [Nm]		sf		M <sub>2</sub> [Nm]	sf	n <sub>1MAX</sub> [ rpm ]
6.2	49	8.1	5.7	486	8.1	3.8
7.5	40	9.9	4.7	400	9.9	3.2
9.2	33	12	3.8	326	12	2.6
11.8	25	15	3.3	254	15	2.3
12.5	24	16	3.1	240	16	2.1
14.8	20	19	2.7	202	19	1.8
17.6	17	23	2.2	170	23	1.5
18.6	16	24	2.6	161	24	1.8
22.3	13	29	2.2	134	29	1.5
23.9	13	31	2.0	125	31	1.4
28.9	10	38	2.0	104	38	1.3
30.8	9.7	41	1.8	97	41	1.2
33.6	8.9	44	1.7	89	44	1.1
35.6	8.4	47	1.6	84	47	1.1
42.8	7.0	56	1.3	70	56	0.9
55.3	5.4	73	1.0	54	72	0.7
59.1	5.1	78	1.0	51	72	0.7
64.3	4.7	85	0.9	47	72	0.7
72.5	4.1	95	0.8	41	72	0.7

Attenzione: superamento della coppia nominale supportata dal riduttore per servizio S1. Contattare il ns. servizio tecnico  
 Attention: rated torque withstood by gear reducer for service in S1 is exceeded. Please. contact our technical office.

Tipo Type	Numero di poli Number of poles	Numero di fasi Number of phase	Tensione Rated voltage [ V ]	Numero di giri Rated speed [ rpm ]	Coppia nominale Rated torque [ Nm ]	Potenza nominale Rated power [ W ]
BL140.480	8	3	48	3000	1.4	440
Tipo Type	Coppia massima Peak torque [ Nm ]	Corrente nominale Rated current [ A ]	Resistenza Resistance [ ohm ]	Induttanza Inductance [ mH ]	Corrente massima Peak current [ A ]	Peso Weight [ kg ]
BL140.480	2.8	13.0	0.16	0.5	26	3.15

