

CM063 con motore brushless CC

CM063 with brushless DC motor

CM063	BL070.240 BL070.480 / BL070.48B						BL140.480						BL210.480 / BL210.48E								
	24V / 48V						48V						48V								
	n ₂ MIN		n ₂ MAX		n ₁ MAX		n ₂ MIN		n ₂ MAX		n ₁ MAX		n ₂ MIN		n ₂ MAX		n ₁ MAX				
ir	M ₂	sf	M ₂	sf	[rpm]	M ₂	sf	M ₂	sf	[rpm]	M ₂	sf	M ₂	sf	[rpm]	M ₂	sf	[rpm]			
40	7.5	15	15.7	75	21	5.3	3000	8	31	7.9	75	43	2.6	3000	7.5	46	5.2	75	64	1.8	3000
50	6.0	18	12.2	60	26	4.0		6	36	6.1	60	51	2.0		6.0	53	4.1	60	77	1.3	
60	5.0	20	10.1	50	30	3.3		5	40	5.1	50	59	1.6		5.0	59	3.4	50	88	1.1	
80	3.7	23	7.7	38	36	2.4		4	45	3.8	38	73	1.2		3.7	68	2.6	38	109	0.8	
100	3.0	25	6.3	30	42	1.9		3	50	3.1	30	84	1.0		3.0	75	2.1	30	114	0.7	

Attenzione: superamento della coppia nominale supportata dal riduttore per servizio S1. Contattare il ns. servizio tecnico
Attention: rated torque withstood by gear reducer for service in S1 is exceeded. Please, contact our technical office.

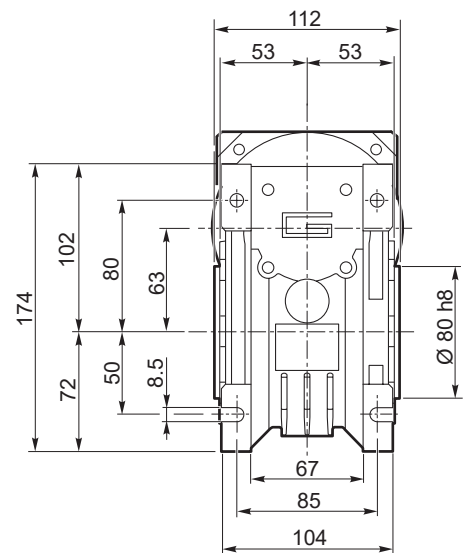
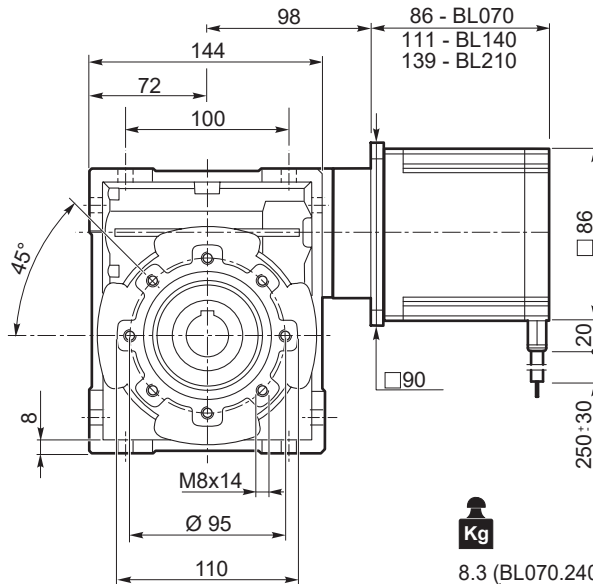
Tipo Type	Numero di poli Number of poles	Numero di fasi Number of phase	Tensione Rated voltage [V]	Numero di giri Rated speed [rpm]	Coppia nominale Rated torque [Nm]	Potenza nominale Rated power [W]
BL070.240	8	3	24	3000	0.7	220
BL070.480 BL070.48B	8	3	48	3000	0.7	220
BL140.480	8	3	48	3000	1.4	440
BL210.480 BL210.48E	8	3	48	3000	2.1	660

Tipo Type	Coppia massima Peak torque [Nm]	Corrente nominale Rated current [A]	Resistenza Resistance [ohm]	Induttanza Inductance [mH]	Corrente massima Peak current [A]	Peso Weight [kg]
BL070.240	2.1	13	0.091	0.23	26	2.1
BL070.480 BL070.48B	1.4	6.5	0.34	1.0	13	2.1
BL140.480	2.8	13	0.16	0.5	26	3.15
BL210.480 BL210.48E	4.2	18.7	0.115	0.31	37	4.2

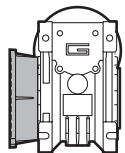
Azionamenti Drives



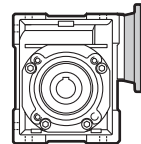
CM063..U
+
BL070.240
BL070.480
BL140.480
BL210.480



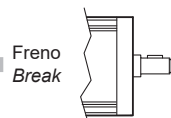
8.3 (BL070.240-480)
9.35 (BL210.480)
10.4 (BL210.480)



CM063.. F
CM063.. FL
CM063.. FB

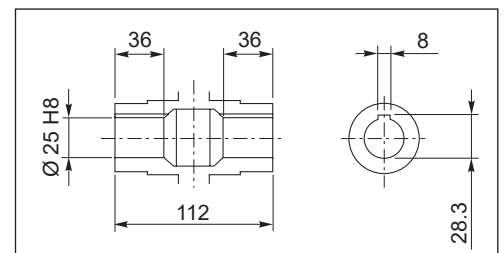


CM063.. AS...



BL070.48B
BL210.480E

Freno Brake



Albero lento cavo / Hollow output shaft