

# Motoriduttori brushless CC a vite senza fine Brushless DC Wormgearmotors

CM050 con motore brushless CC

CM050 with brushless DC motor

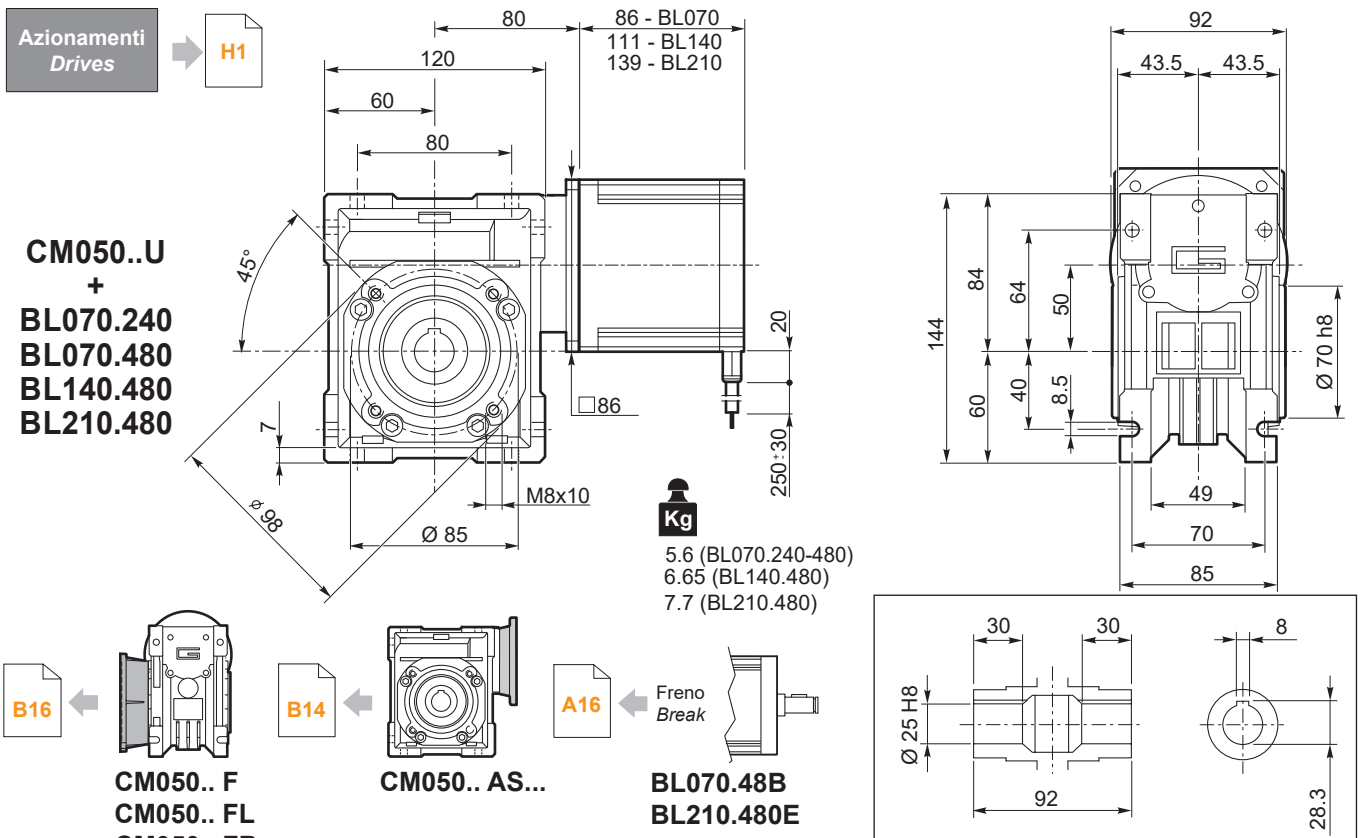
CM050	BL070.240 BL070.480 / BL070.48B						BL140.480						BL210.480 / BL210.48E					
	24V / 48V						48V						48V					
	n <sub>2</sub> MIN		n <sub>2</sub> MAX		n <sub>1</sub> MAX [rpm]	3000	n <sub>2</sub> MIN		n <sub>2</sub> MAX		n <sub>1</sub> MAX [rpm]	3000	n <sub>2</sub> MIN		n <sub>2</sub> MAX		n <sub>1</sub> MAX [rpm]	3000
M <sub>2</sub>	sf	M <sub>2</sub>	sf	M <sub>2</sub>			sf	M <sub>2</sub>	sf	M <sub>2</sub>			sf	M <sub>2</sub>	sf	M <sub>2</sub>		
5	60	3.0	46.4	600	3.3	16.0	60	5.8	24	600	6.4	8.5	60	8.7	16	600	9.6	5.6
7.5	40	4.2	33.1	400	4.7	12.1	40	8.5	17	400	9.5	6.0	40	12	11	400	14	4.0
10	30	5.4	26.2	300	6.2	9.7	30	11	13	300	12	4.9	30	16	8.9	300	19	3.2
15	20	7.6	18.4	200	9.0	6.9	20	15	9.2	200	18	3.4	20	23	6.5	200	28	2.2
20	15	9.4	13.3	150	11.8	4.7	15	19	6.6	150	24	2.3	15	29	4.5	150	35	1.6
25	12	11	10.3	120	14.4	3.6	12	22	5.1	120	29	1.8	12	34	3.4	120	43	1.2
30	10	12	12.4	100	16.4	4.1	10	24	6.2	100	33	2.0	10	37	4.2	100	52	1.3
40	7.5	15	8.5	75	20.7	2.8	8	30	4.3	75	41	1.4	7.5	45	2.9	75	62	1.0
50	6.0	17	7.1	60	24.9	2.3	6	34	3.6	60	50	1.1	6.0	50	2.4	60	75	0.8
60	5.0	18	5.7	50	28.6	1.8	5	37	2.9	50	57	0.9	5.0	55	2.0	50	74	0.7
80	3.7	21	4.3	38	34.7	1.3	4	43	2.1	38	66	0.7	3.7	60	1.4	38	66	0.7
100	3.0	23	3.6	30	40.6	1.1	3	47	1.8	30	61	0.7	3.0	71	1.2	30	61	0.7

Attenzione: superamento della coppia nominale supportata dal riduttore per servizio S1. Contattare il ns. servizio tecnico  
Attention: rated torque withstood by gear reducer for service in S1 is exceeded. Please, contact our technical office.

Tipo Type	Numero di poli Number of poles	Numero di fasi Number of phase	Tensione Rated voltage [V]	Numero di giri Rated speed [rpm]	Coppia nominale Rated torque [Nm]	Potenza nominale Rated power [W]
BL070.240	8	3	24	3000	0.7	220
BL070.480 BL070.48B	8	3	48	3000	0.7	220
BL140.480	8	3	48	3000	1.4	440
BL210.480 BL210.48E	8	3	48	3000	2.1	660

Tipo Type	Coppia massima Peak torque [Nm]	Corrente nominale Rated current [A]	Resistenza Resistance [ohm]	Induttanza Inductance [mH]	Corrente massima Peak current [A]	Peso Weight [kg]
BL070.240	2.1	13	0.091	0.23	26	2.1
BL070.480 BL070.48B	1.4	6.5	0.34	1.0	13	2.1
BL140.480	2.8	13	0.16	0.5	26	3.15
BL210.480 BL210.48E	4.2	18.7	0.115	0.31	37	4.2



Albero lento cavo / Hollow output shaft