

CM026 con motore brushless CC

CM026 with brushless DC motor

CM026	BLS022.240													
	24V						36V							
	n ₂ MIN		sf		n ₂ MAX		n ₁ MAX [rpm]	n ₂ MIN		n ₂ MAX		n ₁ MAX [rpm]		
M ₂		M ₂		M ₂		M ₂			M ₂					
ir	60	0.9	27	600	1.0	10	3000	80	0.9	21	800	1.0	8.0	4000
5	40	1.3	19	400	1.5	7.9		53	1.3	16	533	1.5	6.0	
7.5	30	1.7	16	300	1.9	5.8		40	1.7	12	400	1.9	4.7	
10	20	2.2	12	200	2.7	4.1		27	2.3	9.1	267	2.8	3.2	
15	15	2.8	9.3	150	3.5	3.1		20	2.9	6.9	200	3.6	2.5	
20	10	3.6	7.5	100	4.8	2.5		13	3.8	5.8	133	5.0	2.0	
30	7.5	4.4	4.8	75	6.0	1.8		10	4.6	4.1	100	6.2	1.5	
40	6	4.8	4.2	60	7.0	1.4		8.0	5.2	3.5	80	7.3	1.1	
50	5	5.4	3.3	50	7.8	1.1		6.7	5.8	2.9	67	8.2	0.9	
60														

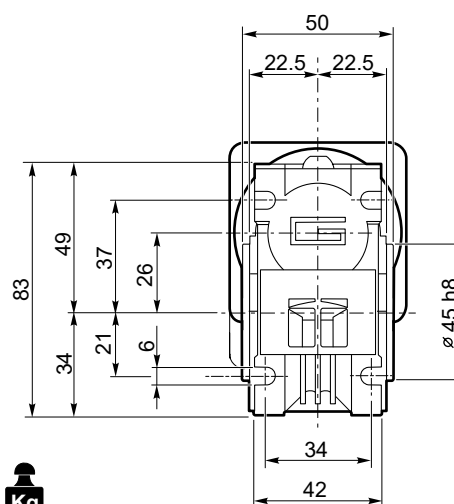
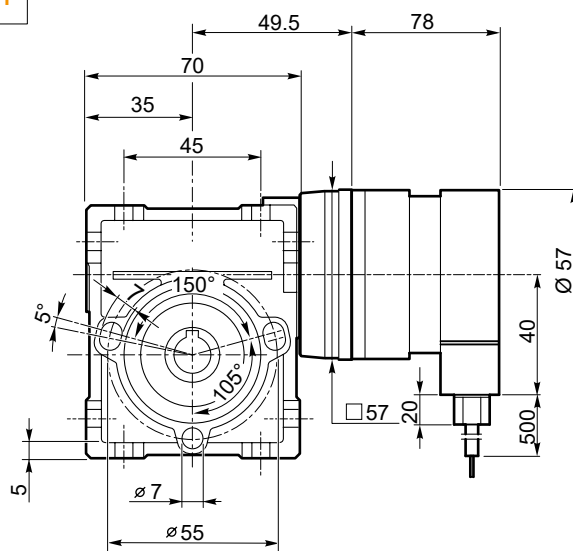
Attenzione: superamento della coppia nominale supportata dal riduttore per servizio S1. Contattare il ns. servizio tecnico
Attention: rated torque withstood by gear reducer for service in S1 is exceeded. Please, contact our technical office.

Tipo Type	Numero di poli Number of poles	Numero di fasi Number of phase	Tensione Rated voltage [V]	Numero di giri Rated speed [rpm]	Coppia nominale Rated torque [Nm]	Potenza nominale Rated power [W]
BLS022.240	4	3	36	4000	0.22	92
			24	3000		70
Tipo Type	Coppia massima Peak torque [Nm]	Corrente nominale Rated current [A]	Resistenza Resistance [ohm]	Induttanza Inductance [mH]	Corrente massima Peak current [A]	Peso Weight [kg]
BLS022.240	0.44	3.7	0.64	3.1	7.4	0.72

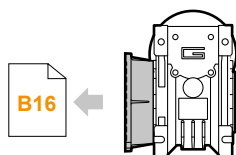
Azionamenti
Drives



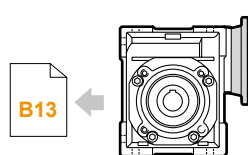
CM026..U
+
BLS022.240



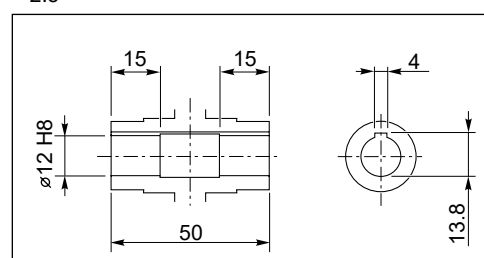
Kg
2.5



CM026.. F



CM026.. AS...



Albero lento cavo / Hollow output shaft

Brushless DC

CM